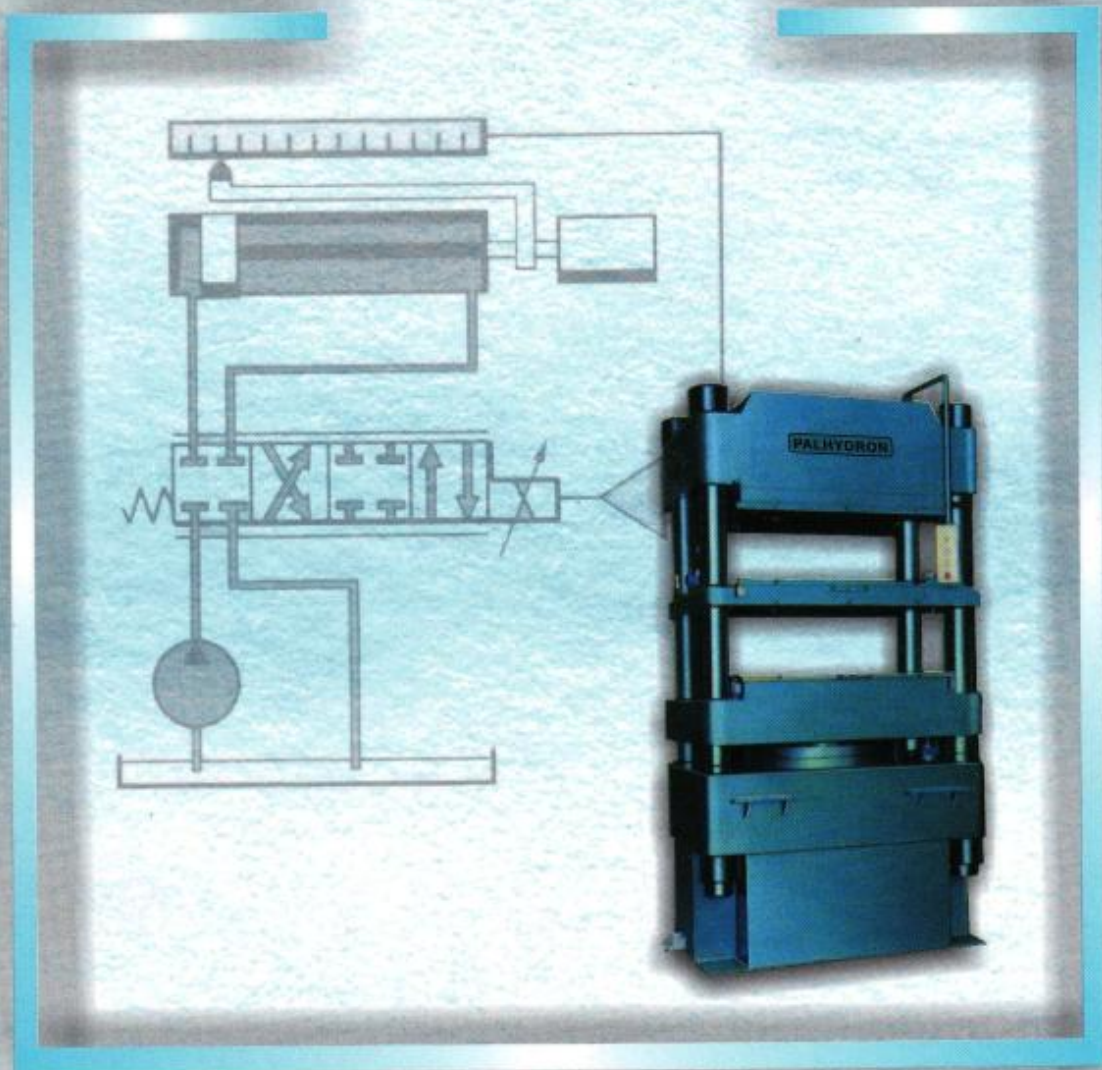


PALHYDRON

**HYDRAULIC PRESSES, RUBBER MOULDING
SPECIAL PURPOSE MACHINES**



At PALHYDRON We have Solutions for your All Industrial Tasks

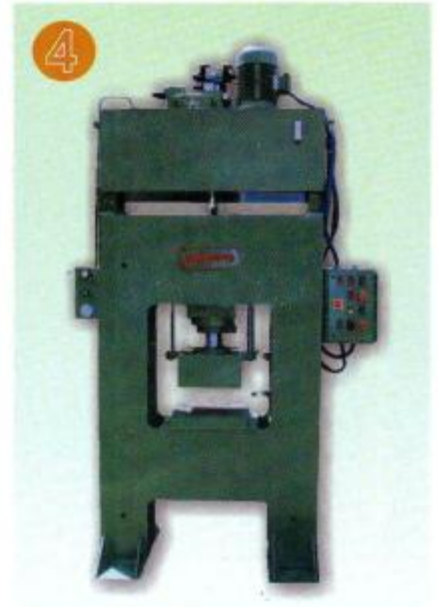
*Deep Drawing Rubber Moulding Sheet Bending Powder Compacting Blanking Punching Coining Stamping
Straightening Assembling Cold Forming Trimming Forging Scrap Baling Special Solutions Automation*

► About Company...

Our company is proud to be one of the leading manufacturers of hydraulic machines, specially in tailor made designs. Through the years the company has satisfied the needs of our esteemed customers through specialized designs, with latest trends like programmable logic controls, proportional controls and cartridge valves to achieve superior quality and most reliable products. Our every machine manufactured, is carefully tested and closely watched for its ultimate performance in accordance with latest standards. In addition to the PALHYDRON warranty, the machine backs excellent after sales service.

► Range

- 'C' Frame Presses
- H-Frame Type Presses
- 4-Column Type Presses
- 4-Pillar Type Presses
- Special Purpose Machines
- Capacity 5 to 1500
- Controls Manual to PLC



The data given in the catalogue are indicative. In consideration of our always improving technology,



► Products

1. Double Action Deep Drawing Press. Capacity 150 Tons + 150 Tons
2. Coning Press. Capacity 250 Tons
3. Hydraulic Press Brake. Capacity 2540 x 3 mm
4. Hydraulic Press. Cement Tile Making
5. Varn Packing/Bail Machine
6. Powder Compacting Hydraulic Press. with Die Cushioning. Capacity 100 Tons
7. Rubber Moulding Hot Press. 2-Day Light
8. Hydraulic Broaching Machine
9. 2-Station Compression Moulding Press. Manual/PLC Controlled
10. Hydraulic Press. Capacity 100 Tons. Workshop/General Purpose
11. Rubber Moulding Press. Up-Stroke. Hand Operated
12. 'C' - Frame Straightening Press. Capacity 100 Tons with Trolley

► Applications

Machine Tools

Rubber Industries

Plywood Industry

Ceramic Industry

Mining

Rolling Mills

Automobile Industry

Railways

Sugar Mill

Construction

Defence

Steel Plant

Foundry

Textiles

Characteristics given merely on information basis and can be modified at anytime without prior notice.

► Power Packs

Oil hydraulics is a convenient tool to achieve various Automation functions in any machine. The force is generated through pressurized oil flow in requisite manner. This arrangement is popularly known as Hydraulic Power Pack. Flexibility is the prime feature of Hydraulics. The function controls are as easy as scribbling words like move, increase, decrease, hold, stop etc.

PALHYDRON is a recognised name in the industry since 1974 for manufacturing custom built Hydraulic Power Packs. The company was promoted by a team of experienced Engineers aiming to provide genuine solutions in Hydraulics.

► Range

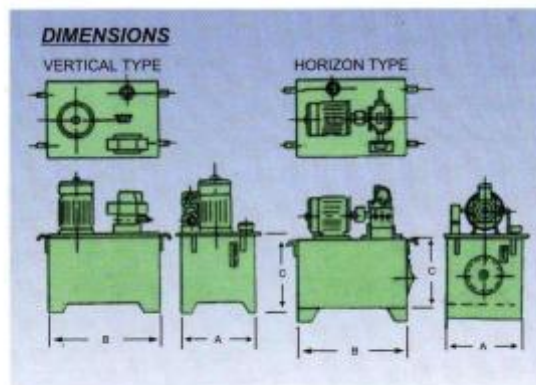
- Tank Size : 10 to 2500 Ltr. cap.
- Connected Power : 0.5 HP & higher
- Controls : Manual to PLC

► Cylinders

- Medium/High Pressure Tie Rod Cylinders
- High Pressure Welded Construction Cylinders
- Custom-built Cylinders
- Bore Range 25 to 500 mm
- Stroke Range 25 to 2000 mm

► Salient Features

- Generally conforming to CETOP/DIN/ISO standards.
- User friendly arrangements
- Better aesthetics
- Low noise levels
- Compact
- Energy efficient
- 100% leak-free installation on demand.



Model	Capacity	Size mm		
		A	B	C
P-40L	40	400	400	550
P-60L	60	440	400	650
P-100L	100	505	450	750
P-150L	150	530	550	900
P-200L	200	560	600	1000
P-300L	300	600	700	1200
P-500L	500	620	800	1500
P-700L	700	700	900	1800
P-1000L	1000	750	1000	2000
P-1500L	1500	790	1200	2400



PALHYDRON high performance hydraulic cylinders are such designed that they meet your requirements with performance, quality and reliability at a price that won't stretch your budgets. These cylinders are established an impressive record and continuous maintenance free operation. Cylinder is built with important extras, which is uncommon in cylinders.

PAL MACHINE TOOLS (REGD.)

Office

11390, Lane # 2, Partap Nagar,
Indl. Area - B, Ludhiana - 3.

Ph. : 91-161-534854

Fax : 91-161-532913

Works

10515, Lane # 1, Bhagwan Chowk,
Janta Nagar, Ludhiana - 3.

Ph. : 91-161-500854

Web Site : palhydron.com

E-mail : palhydron@indya.com

Dealers